

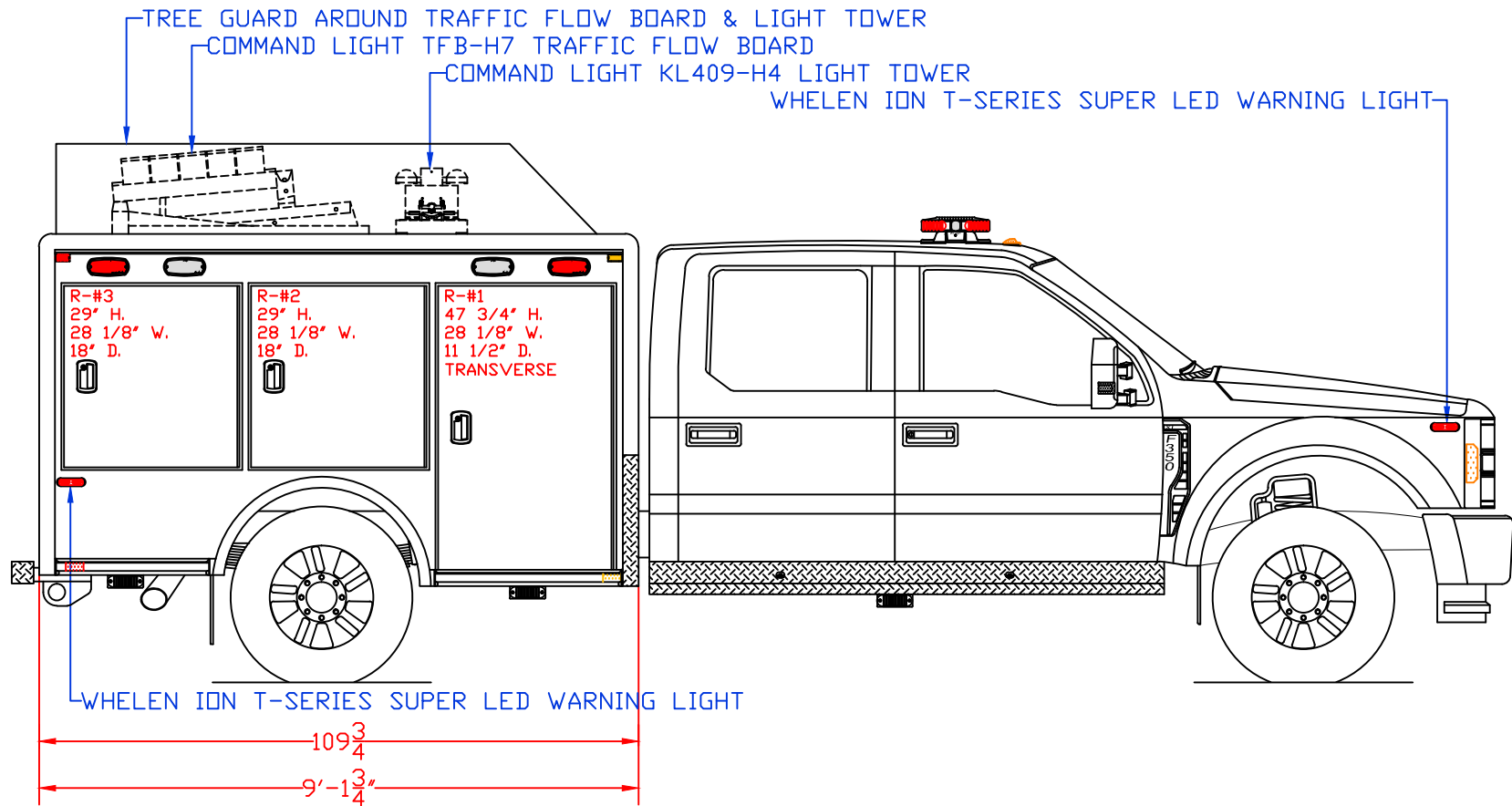
WARD APPARATUS
 1250 SCHWEIZER ROAD PHONE (607) 796-0149
 HORSEHEADS, NY 14845 FAX (607) 739-7092

CUSTOMER APPROVED BY:

VEHICLE TYPE: RESCUE	CHASSIS: FORD F-350 CREW CAB 4X4
VIEW: STREETSIDE	BODY MAT'L: ALUMINUM
SCALE: NTS	BODY LENGTH: 109 3/4"
DRAWN BY: NRW	APPROVED BY:
DATE: 9/24/2025	BODY STYLE:
DWG NO.: PLYMOUTH TOWNSHIP	REVISION:

PLYMOUTH TOWNSHIP FIRE DEPARTMENT SUPER SQUAD

NOTE: ALL DIMENSIONS ARE APPROXIMATE



WARD APPARATUS

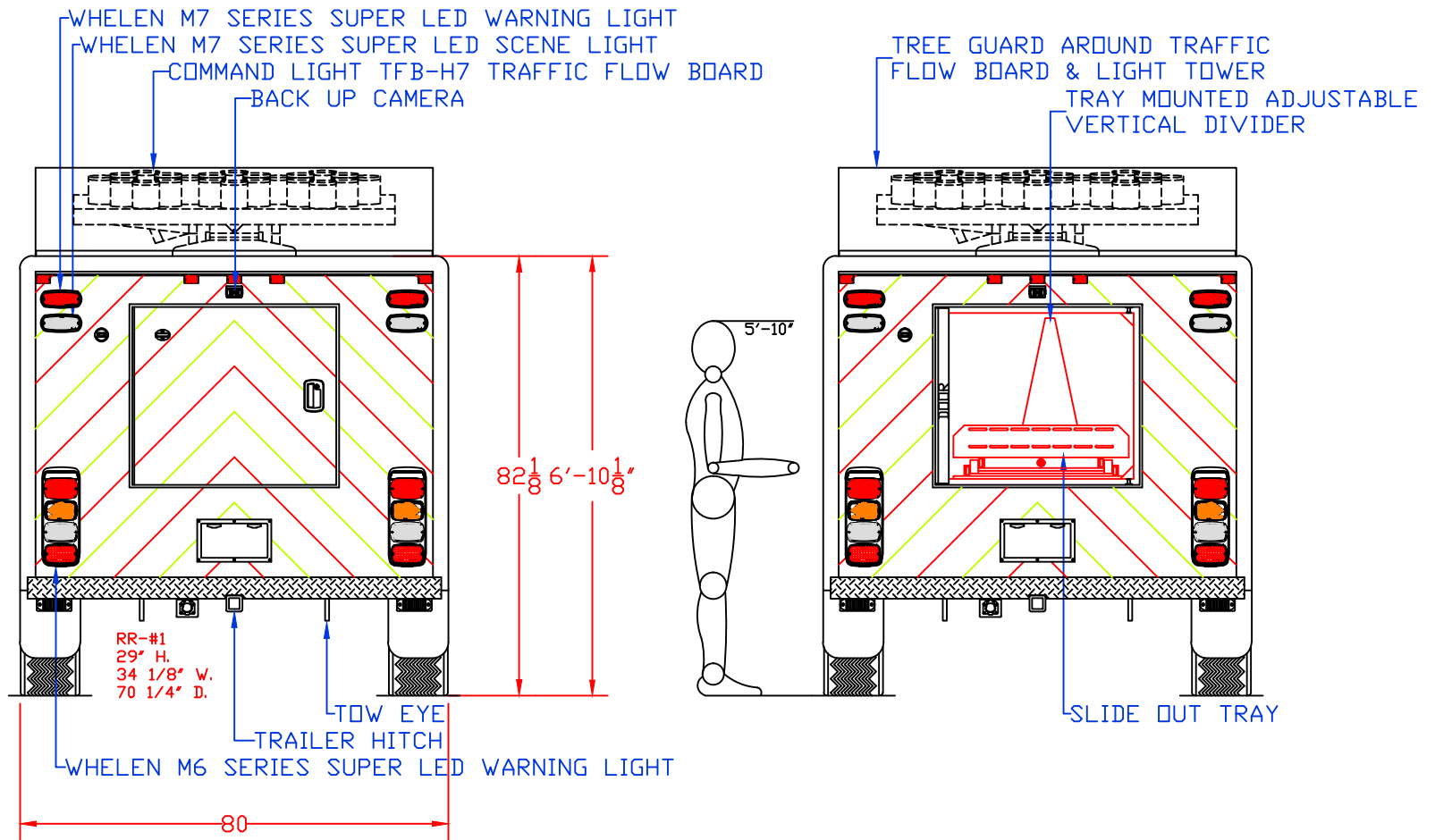
1250 SCHWEIZER ROAD PHONE (607) 796-0149
 HORSEHEADS, NY 14845 FAX (607) 739-7092

CUSTOMER APPROVED BY:

VEHICLE TYPE: RESCUE	CHASSIS: FORD F-350 CREW CAB 4X4
VIEW: CURBSIDE	BODY MAT'L: ALUMINUM
SCALE: NTS	BODY LENGTH: 109 3/4"
DRAWN BY: NRW	APPROVED BY:
DATE: 9/24/2025	BODY STYLE:
DWG NO.: PLYMOUTH TOWNSHIP	REVISION:

PLYMOUTH TOWNSHIP FIRE DEPARTMENT SUPER SQUAD

NOTE: ALL DIMENSIONS ARE APPROXIMATE



WARD APPARATUS

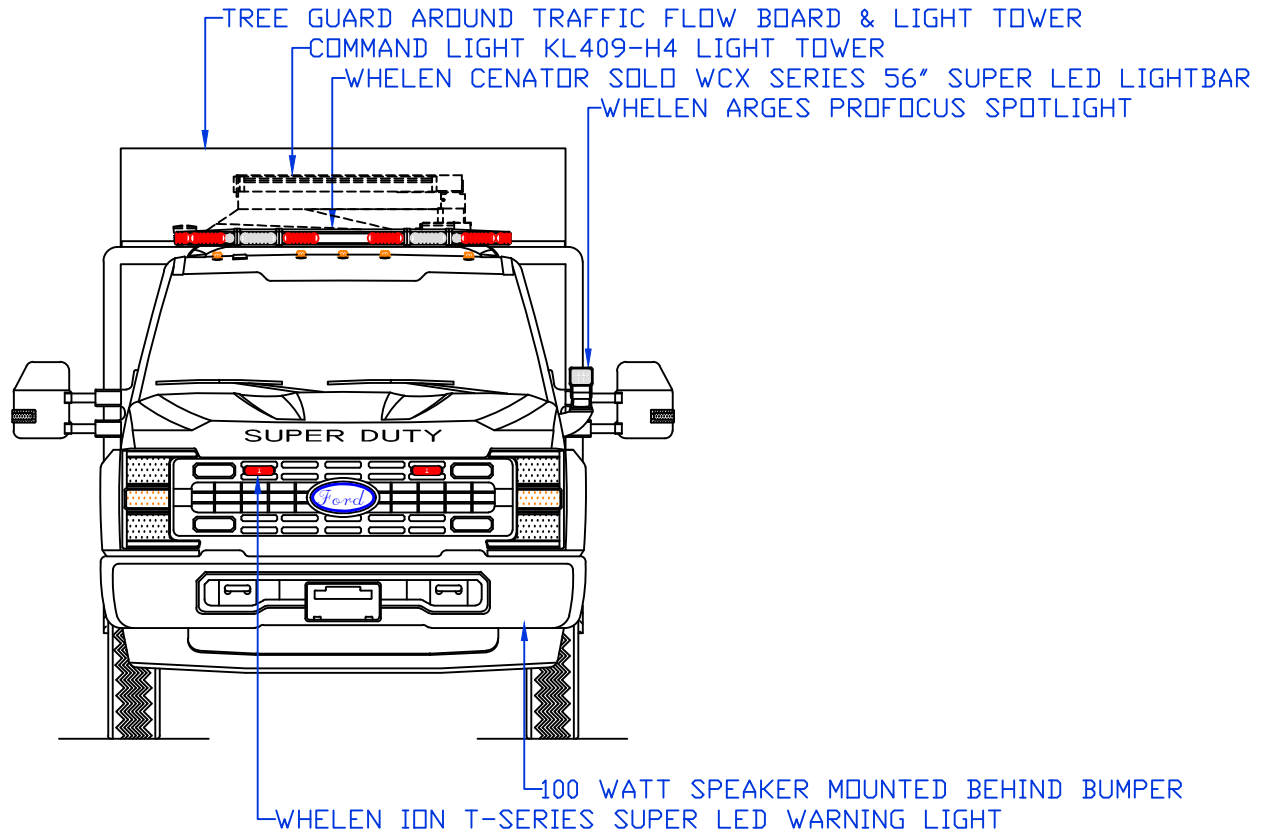
1250 SCHWEIZER ROAD PHONE (607) 796-0149
HORSEHEADS, NY 14845 FAX (607) 739-7092

PLYMOUTH TOWNSHIP FIRE DEPARTMENT SUPER SQUAD

CUSTOMER APPROVED BY: _____

VEHICLE TYPE: RESCUE	CHASSIS: FORD F-350 CREW CAB 4X4
VIEW: REAR & REAR COMPARTMENT LAYOUT	BODY MAT'L: ALUMINUM
SCALE: NTS	BODY LENGTH: 109 3/4"
DRAWN BY: NRW	APPROVED BY: _____
DATE: 9/24/2025	BODY STYLE: _____
DWG NO.: PLYMOUTH TOWNSHIP	REVISION: _____

NOTE: ALL DIMENSIONS ARE APPROXIMATE



WARD APPARATUS

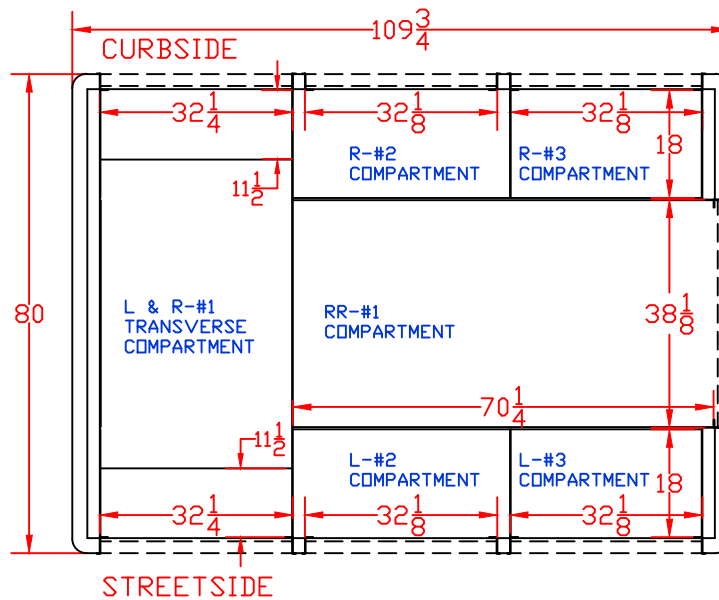
1250 SCHWEIZER ROAD PHONE (607) 796-0149
 HORSEHEADS, NY 14845 FAX (607) 739-7092

CUSTOMER APPROVED BY:

VEHICLE TYPE: RESCUE	CHASSIS: FORD F-350 CREW CAB 4X4
VIEW: FRONT	BODY MAT'L: ALUMINUM
SCALE: NTS	BODY LENGTH: 109 3/4"
DRAWN BY: NRW	APPROVED BY:
DATE: 9/24/2025	BODY STYLE:
DWG NO.: PLYMOUTH TOWNSHIP	REVISION:

PLYMOUTH TOWNSHIP FIRE DEPARTMENT SUPER SQUAD

NOTE: ALL DIMENSIONS ARE APPROXIMATE



WARD APPARATUS

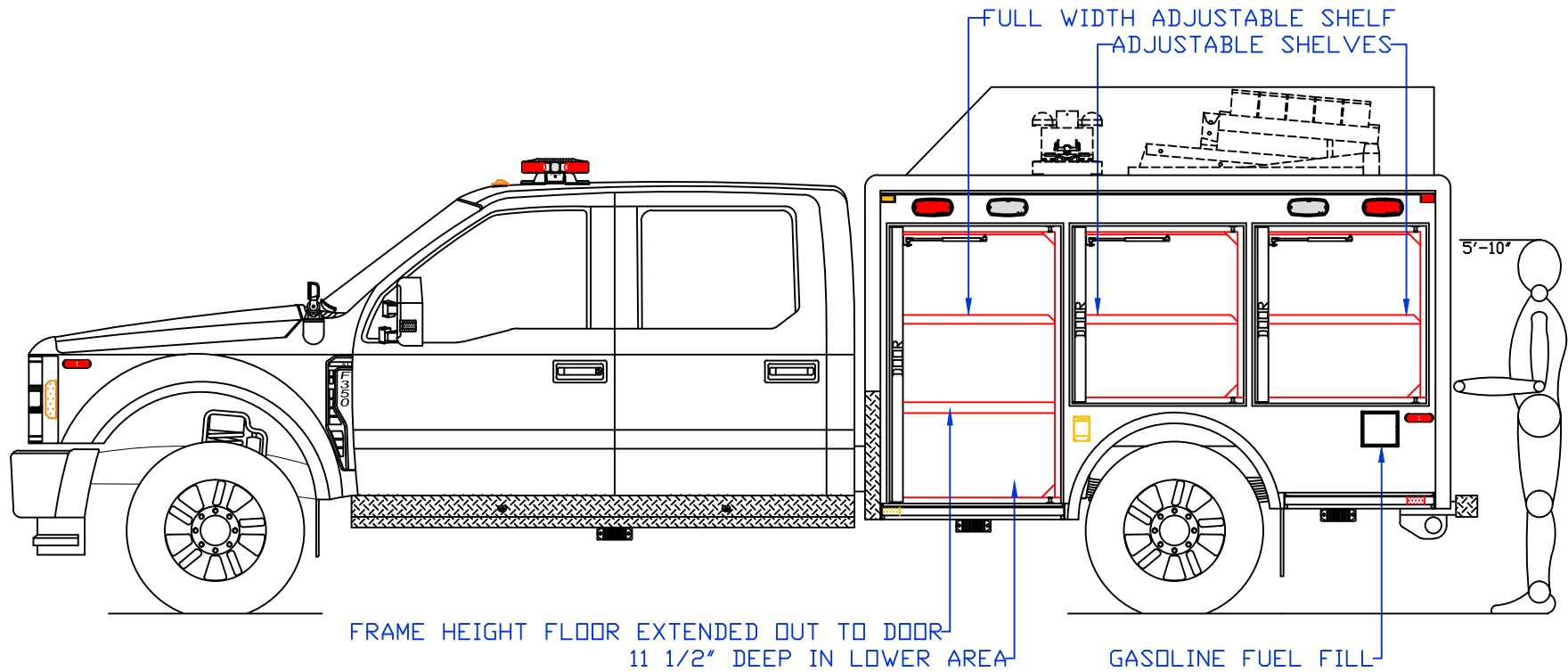
1250 SCHWEIZER ROAD PHONE (607) 796-0149
 HORSEHEADS, NY 14845 FAX (607) 739-7092

CUSTOMER APPROVED BY:

VEHICLE TYPE: RESCUE	CHASSIS: FORD F-350 CREW CAB 4X4
VIEW: ROOF	BODY MAT'L: ALUMINUM
SCALE: NTS	BODY LENGTH: 109 3/4"
DRAWN BY: NRW	APPROVED BY:
DATE: 9/24/2025	BODY STYLE:
DWG NO.: PLYMOUTH TOWNSHIP	REVISION:

PLYMOUTH TOWNSHIP FIRE DEPARTMENT SUPER SQUAD

NOTE: ALL DIMENSIONS ARE APPROXIMATE



WARD APPARATUS

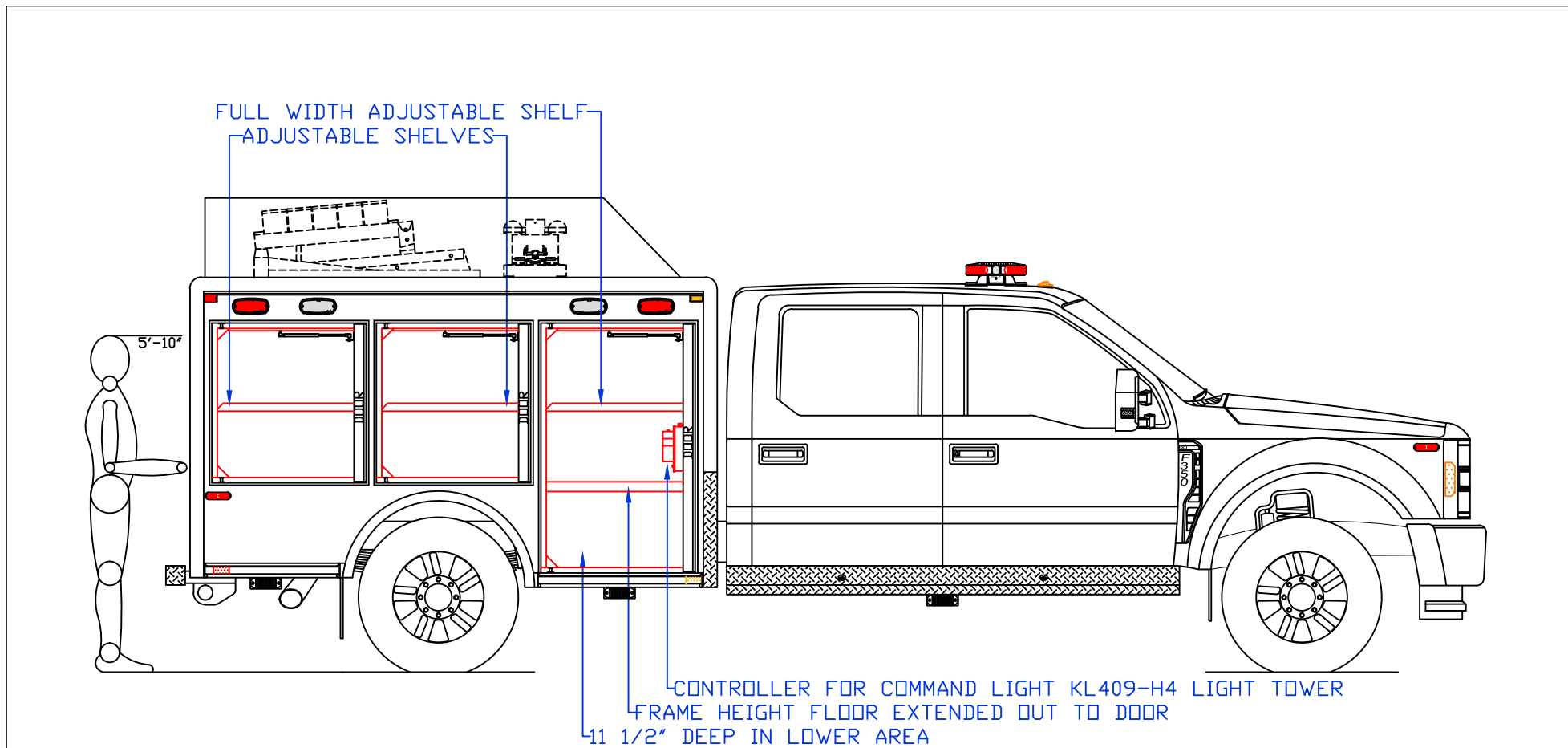
1250 SCHWEIZER ROAD PHONE (607) 796-0149
 HORSEHEADS, NY 14845 FAX (607) 739-7092

PLYMOUTH TOWNSHIP FIRE DEPARTMENT SUPER SQUAD

CUSTOMER APPROVED BY:

VEHICLE TYPE: RESCUE	CHASSIS: FORD F-350 CREW CAB 4X4
VIEW: STREETSIDE COMPARTMENT LAYOUT	BODY MAT'L: ALUMINUM
SCALE: NTS	BODY LENGTH: 109 3/4"
DRAWN BY: NRW	APPROVED BY:
DATE: 9/24/2025	BODY STYLE:
DWG NO.: PLYMOUTH TOWNSHIP	REVISION:

NOTE: ALL DIMENSIONS ARE APPROXIMATE



WARD APPARATUS
 1250 SCHWEIZER ROAD PHONE (607) 796-0149
 HORSEHEADS, NY 14845 FAX (607) 739-7092

CUSTOMER APPROVED BY:

VEHICLE TYPE: RESCUE	CHASSIS: FORD F-350 CREW CAB 4X4
VIEW: CURBSIDE COMPARTMENT LAYOUT	BODY MAT'L: ALUMINUM
SCALE: NTS	BODY LENGTH: 109 3/4"
DRAWN BY: NRW	APPROVED BY:
DATE: 9/24/2025	BODY STYLE:
DWG NO.: PLYMOUTH TOWNSHIP	REVISION:

PLYMOUTH TOWNSHIP FIRE DEPARTMENT SUPER SQUAD

NOTE: ALL DIMENSIONS ARE APPROXIMATE